

i-WOOD
Wood Works

MEDA
PARQUET

CATALOG **2024**

CONTRACT

Essence **OAK** | Collection **PLANK** | Surface **BRUSHED** | Finishing **LACQUERED** (origin)

Name	Dimension - mm	Grade AB/1	Grade CD	Grade D	Grade UNICA	Treatments
Renate	10/3 x 120/130 x 500/1200 <i>Model: M01</i>					Naturale
Rogoredo						Naturale
Seveso	10/3 x 150/170 x 600/1900 <i>Model: M02</i>					Naturale
Arcore ⁽¹⁾						Sbiancato
Monza						Affumicato
Seregno						Affumicato Sbiancato
Lissone						Marrone
Concorezzo	14/3 x 180/190 x 600/1900 <i>Model: M04</i>					Naturale
Innsbruck	14/3 x 180/190 x 600/1900 <i>Model: M04 (Click)</i>					Naturale (OILED)

⁽¹⁾ Limited availability.

Products finished and packaged at the origin



Naturale - AB/1



Naturale - CD



Sbiancato



Affumicato



Affumicato Sbiancato



Marrone

Essence: **European OAK**

PLANK

Collection **PLANK** | Surface **BRUSHED** | Finishing **LACQUERED** (Italy)

Dimension	Grade AB	Grade AB/1	Grade CD	Grade UNICA	Treatments
10/3 x 120/130 x 500/1200 mm Model: M01					Naturale T02 Naturalizzato T25 Bianco Crema T04 Bianco Piuma T05 Bianco Polare T70 Grigio Mare T67 Grigio Ade T08 Grigio Cenere T68 Grigio Tortora T09 Grigio Nuvola T71 Grigio Pietra T03 Miele T11 Marrone Sabbia T66 Marrone Nocciola T13 Marrone Seppia T10 Marrone Cioccolato
10/3 x 150/170 x 600/1900 mm Model: M02					
14/3 x 180/190 x 600/1900 mm Model: M04	temporary sold out				

For **OILED** finishing: +6,50 €/m²

For orders over 200 mq in a single color (**Natural, T02, T04, T09** and **T11** treatments) consider the prices of Contract selection.

Essence: **European Evaporated OAK**

Collection **PLANK** | Surface **STUBE**

Name	Dimension	Grade D	Treatments
Desio	15/4 x 220 x 600/2200 mm Model: M10		Affumicato (<i>oiled/waxed</i>) Origin
Burago			Affumicato Sbiancato (<i>lacquered</i>) Italy



Amendments made after supply and smaller than 15 m², will be charged with a 50% increase on the price. Before proceeding with the order, carefully check the surfaces on the construction site.

MEDA
PARQUET

Essence: **European Evaporated OAK**

PLANK

Collection **PLANK** | Surface **HANDSCRAPED** | Finishing **LACQUERED** (Italy)

Name	Dimension	Grade D	Treatments
Evaporato Medio	15/4 x 190 x 950/1900 mm <i>Model: AGORÀ</i>		T01 Evaporato medio
Montepulciano			T19 Evaporato scuro
Bianco Vissuto			T20 Evaporato Bianco vissuto
Giglio			T21 Evaporato decapato Grigio

Essence: **American Oxidized OAK** ⁽¹⁾

Collection **PLANK** | Surface **BRUSHED** | Finishing **LACQUERED** (Italy)

Dimension	Grade AB	Treatments
10/3 x 150/160 x 600/1200 mm <i>Model: M05</i>		Naturale
		T02 Naturalizzato
		T04 Bianco Piuma
		T05 Bianco Polare
		T09 Grigio Nuvola
		T71 Grigio Pietra
		T11 Marrone Sabbia
		T66 Marrone Nocciola
14/3 x 190 x 600/1900 mm <i>Model: M06</i>		

⁽¹⁾ Treatment that attenuates the typical red color of American Oak, suiting it an outer appearance similar or equal to European Oak.
For **OILED** finishing: +6,50 €/m²



Amendments made after supply and smaller than 15 m², will be charged with a 50% increase on the price. Before proceeding with the order, carefully check the surfaces on the construction site.

MEDA
PARQUET

Collection **PLANK** | Surface **BRUSHED**

Name	Dimension	Grade UNICA	Treatments
Clio	15/4 x 190 x 950/1900 <i>Model: POLIS</i>		Naturale <i>(oiled)</i> Italy
M1202			T02 Naturalizzato <i>(lacquered)</i> Italy
M1204			T04 Bianco Piuma <i>(lacquered)</i> Italy
M1209			T09 Grigio Nuvola <i>(lacquered)</i> Italy
M1210			T10 Marrone Cioccolato <i>(lacquered)</i> Italy

Essence: **ELM**Collection **PLANK** | Surface **BRUSHED** | Finishing **LACQUERED** (Italy)

Name	Dimension	Grade AB	Treatments
Morfeo	15/4 x 190 x 950/1900 <i>Model: POLIS</i>		Naturale
M1302			T02 Naturalizzato
M1304			T04 Bianco Piuma
M1309			T09 Grigio Nuvola
M1310			T10 Marrone Cioccolato



Amendments made after supply and smaller than 15 m², will be charged with a 50% increase on the price. Before proceeding with the order, carefully check the surfaces on the construction site.

Collection **HERRINGBONE 90°** | Surface **BRUSHED** | Finishing **LACQUERED** (Italy)

Dimension	Grade AB	Grade AB/1
10/3 x 90 x 600 mm <i>Model: M07</i>		

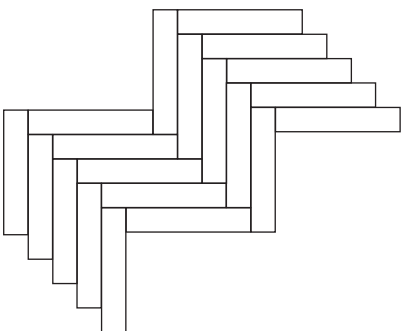
For **OILED** finishing: +6,50 €/m²

Treatments
Naturale
T02 Naturalizzato
T25 Bianco Crema
T04 Bianco Piuma
T05 Bianco Polare
T70 Grigio Mare
T67 Grigio Ade
T08 Grigio Cenere
T68 Grigio Tortora
T09 Grigio Nuvola
T71 Grigio Pietra
T03 Miele
T11 Marrone Sabbia
T66 Marrone Nocciola
T13 Marrone Seppia
T10 Marrone Cioccolato

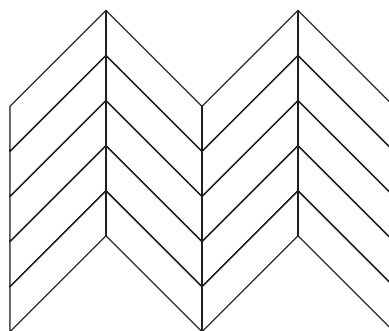
Collection **CHEVRON 45°** | Surface **BRUSHED** | Finishing **LACQUERED** (Italy)

Dimension	Grade AB	Grade AB/1	Grade C
10/3 x 90 x 510 mm <i>Model: M08</i>			
14/3 x 125 x 580 mm <i>Model: M09</i>			

For **OILED** finishing: +6,50 €/m²



Collection **HERRINGBONE 90°**



Collection **CHEVRON 45°**




Amendments made after supply and smaller than 15 m², will be charged with a 50% increase on the price. Before proceeding with the order, carefully check the surfaces on the construction site.

Essence: **European OAK**

DESIGN


Collection **DESIGN** | Surface **BRUSHED** | Finishing **LACQUERED** (Italy)

Dimension	Grade ABC	
15/4 x 1000 x 1000 mm <i>Model: VERSAILLES</i> All pieces bevel		

For **SMOKED** treatments: +25,00 €/m²

For **OILED** finishing: +6,50 €/m²

Collection **GEOMETRIC** | Surface **BRUSHED** | Finishing **LACQUERED** (Italy)

Dimension	Grade AB	
15/4 x 90 mm 15/4 x 190 mm <i>Model: TRECCIA</i>		

For **SMOKED** treatments: +30,00 €/m²

For **OILED** finishing: +6,50 €/m²

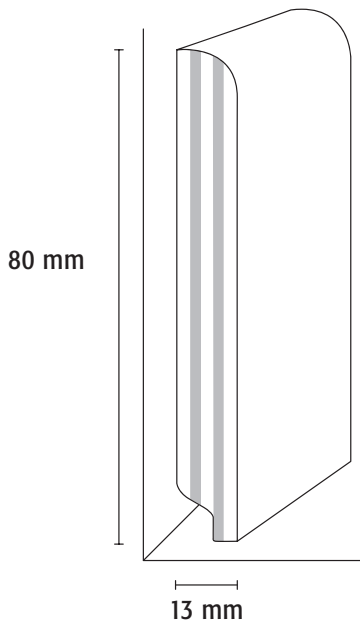
Treatments
Naturale
T02 Naturalizzato
T25 Bianco Crema
T04 Bianco Piuma
T05 Bianco Polare
T70 Grigio Mare
T67 Grigio Ade
T08 Grigio Cenere
T68 Grigio Tortora
T09 Grigio Nuvola
T71 Grigio Pietra
T03 Miele
T11 Marrone Sabbia
T66 Marrone Nocciola
T13 Marrone Seppia
T10 Marrone Cioccolato



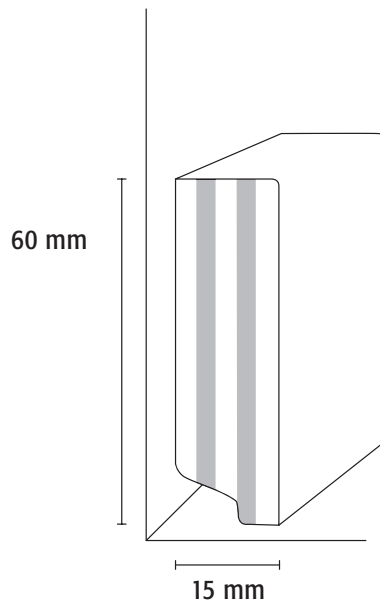
Amendments made after supply and smaller than 15 m², will be charged with a 50% increase on the price. Before proceeding with the order, carefully check the surfaces on the construction site.

MEDA
PARQUET

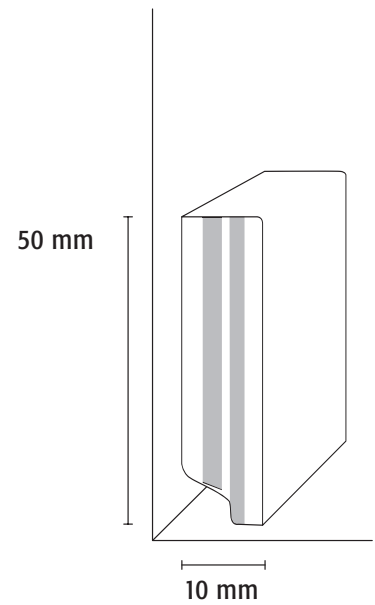
SKIRTING



SKIRTING A
Veneered round edge
80 x 13 x 2400 mm



SKIRTING B
Veneered straight edge
60 x 15 x 2400 mm



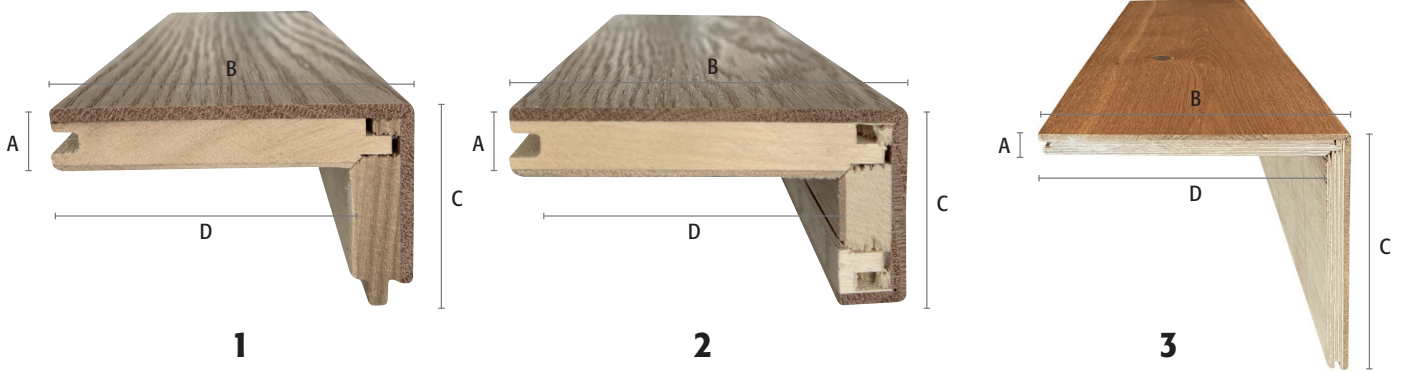
SKIRTING C
Veneered straight edge
50 x 10 x 2400 mm

Essence, treatment	Skirting A 80 x 13 mm	Skirting B 60 x 15 mm	Skirting C 50 x 10 mm
Oak Raw			
Oak Lacquered, Oiled			
Oak Stained, Smoked			
Elm Lacquered			
Larch Lacquered, Oiled			
Laccato Lacquered			



Amendments made after supply and smaller than 15 m², will be charged with a 50% increase on the price. Before proceeding with the order, carefully check the surfaces on the construction site.

STRAIGHT EDGE, FLOOR JOINT, LATERAL JOINT



STRAIGHT EDGE 80 x 40 Open on top		STRAIGHT EDGE 80 x 40 Closed on top		STRAIGHT EDGE 200 x 200 With completed top
10 mm floor: A: 10 mm B: 80 mm C: 40 mm D: 70 mm	15 mm floor: A: 15 mm B: 80 mm C: 40 mm D: 65 mm	10 mm floor: A: 10 mm B: 80 mm C: 40 mm D: 70 mm	15 mm floor: A: 15 mm B: 80 mm C: 40 mm D: 65 mm	15 mm floor: A: 15 mm B: 200 mm C: 200 mm D: 185 mm
The price (m) is calculated by dividing the price of the parquet by 3, adding 110,00€. Ex. M0601:		The price (m) is calculated by dividing the price of the parquet by 3, adding 110,00€. Ex. M0601:		The price (m) is calculated by dividing the price of the parquet by 3, adding 140,00€. Ex. M0601:
<i>The straight edge is made with hardwood floor boards, to ensure the same appearance of the floor and is assembled with interlocking M/F to ensure strength and quality.</i>		<i>The straight edge is made with hardwood floor boards, to ensure the same appearance of the floor and is assembled with interlocking M/F to ensure strength and quality.</i>		<i>The straight edge is made with hardwood floor boards, to ensure the same appearance of the floor and is assembled with interlocking M/F to ensure strength and quality.</i>



FLOOR JOINT	LATERAL JOINT
A: As the floor model required B: 50 mm	A: As the floor model required B: 40 mm
The price (m) is calculated by dividing the price of the parquet by 3, adding 70,00€. Ex. M0601:	The price (m) is calculated by dividing the price of the parquet by 3, adding 90,00€. Ex. M0601:



Amendments made after supply and smaller than 15 m², will be charged with a 50% increase on the price. Before proceeding with the order, carefully check the surfaces on the construction site.

MEDA
PARQUET

MAINTENANCE

Dirt is the main cause of wear on wooden floors. For this reason, it is necessary to adequately and periodically clean the surface. Wood is a natural material and should be treated as such. Drastic temperature changes or excessive humidity can lead to minor changes in the structure. A humid climate may cause expansion, while a dry to very dry environment risks producing slight cracks.

Finishing: **LACQUERED**

Treatment carried out with the use of UV varnish, which makes the surface particularly resistant and easy to maintain. The varnish finish creates a protective film on the wood that lasts over time.

We suggest a daily cleaning with a vacuum cleaner or dry cloth, and the use of **Meda Clean** every 2/4 weeks or whenever the floor needs to be washed. When the floor appears worn and dull, use **Meda Lux** (every 6/4 months).

Finishing: **OILED**

The oil finish brings out the natural characteristics of the wood, ensuring good surface protection. Every 6-8 months, the oil is absorbed and it is necessary to repeat the operation with **Meda Oil**.

The oiled parquet has a darker color than the varnished one, but it is more natural and material to the touch. We recommend daily cleaning with a vacuum cleaner or dry cloth, and using **Meda Soap** every 2/4 weeks or whenever the floor needs to be washed.

AFTER INSTALLATION, OILED FLOORS NEED AN IMMEDIATE TREATMENT WITH OIL CARE PLUS.

Product	Technical informations	Frequency of use	Content	Price €/U
MEDA SOAP OILED Parquet	This mild detergent is to be diluted in water for oil-treated wooden floors. It cleans the wood while nourishing, thus enhancing the oil treatment's protective qualities.	Every 2-4 weeks or whenever the floor needs to be washed	LT 1/U1	
MEDA OIL OILED Parquet	Renewing and revitalizing oil. This ready-to-use blend of natural oils and waxes is great for quick and easy special maintenance of oiled surfaces. It specifically regenerates oil-treated and partially dull or worn flooring.	After laying the wooden flooring, then periodically in case of dull or worn surface.	LT 1/U1	
OIL CARE PLUS OILED Parquet	Oil Care Plus is a natural drying oil in aqueous dispersion. It is solvent-free and meant for the final treatment and ordinary maintenance of wooden floors. This product makes it possible to maintain the original appearance of the wooden floor as if it were just made.	Routinely, every 4-6 months, or when the floor is worn and dull.	LT 1/U1	
MEDA CLEAN LAQUERED Parquet	This highly concentrated neutral soap is particularly suitable for frequently cleaning the wood flooring. Its neutral pH and wax content clean and revive the surface while respecting the wood, leaving a pleasant Marseille soap scent.	Every 2-4 weeks or whenever the floor needs to be washed.	LT 1/U1	
MEDA LUX LAQUERED Parquet	Revitalizing wax for wood flooring. This natural wax emulsion in water revives and protects dull and worn surfaces. It spreads easily without leaving halos.	Routinely, every 4-6 months, or when the floor is worn and dull.	LT 1/U1	

MAINTENANCE TIPS

- **Always clean following the laying direction of the parquet** - Cleaning the parquet in this direction enhances the detergents effectiveness. Additionally, the water can act more deeply without damaging or ruining the wood.
- **Use neutral products** - A detergent that is too aggressive or non-specific can seriously damage the floor, changing its surface appearance.
- **Never use:** ammonia, vinegar, or foaming detergents to clean the wood flooring.
- **Use a mat and felt pads for furniture** - Placing a doormat outside the door reduces dirt and impurities that can leave scratches on the wood's surface. The same protection will be guaranteed by felt pads placed under furniture and chairs.

TREATMENTS



Naturale



T02 Naturalizzato



T03 Miele



T04 Bianco Piuma



T05 Bianco Polare



T25 Bianco Crema



T67 Grigio Ade



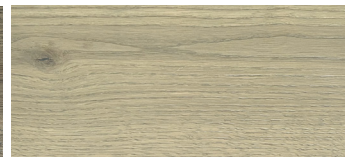
T68 Grigio Tortora



T08 Grigio Cenere



T09 Grigio Nuvola



T70 Grigio Mare



T71 Grigio Pietra



T13 Marrone Seppia



T10 Marrone Cioccolato



T11 Marrone Sabbia



T66 Marrone Nocciola

GRADES

AB - UNI EN 13489

Grade characterized by mixed, striped and flamed grain, possible uneven color within the single list, possible shading on multiple lists side by side, presence of closed knots of modest size.

AB/1 - UNI EN 13489

Grade characterized by mixed, striped and flamed grain, possible uneven color within the single list, possible shading on multiple lists side by side, presence of closed knots of modest size. Possible traces of matching sapwood.

ABC - UNI EN 13489

Grade characterized by mixed, striped and flamed grain, possible uneven color within the single list, color shading on several side-by-side strips, presence of closed knots of modest size, but also of larger size and sometimes also open and grouted.

CD - UNI EN 13489

Grade characterized by mixed, striped and flamed grain in greater quantity, uneven color within the single list, marked shading on several side-by-side lists, abundant knots sometimes even of very important dimensions very often also open and filled, discrete presence of grouted cracks. Possible traces of sapwood.

D - UNI EN 13489

Grade characterized by mixed grain, mostly flamed, uneven coloring within the single list, marked shading on multiple lists side by side, abundant knots sometimes of size very important, often open and stuccoed, abundant presence of stuccoed gaps. Possible traces of sapwood.

UNICA - UNI EN 13489

Choice characterized by mixed grain, mostly flamed, uneven coloring within the single list, marked shading on multiple lists side by side, abundant knots sometimes of size very important, often open and stuccoed, abundant presence of stuccoed gaps. Possible traces of sapwood.

TECHNICAL SPECIFICATIONS

Model	Thickness - mm	Width - mm	Length - mm	Specifications
M01	10/3	120/130	500/1200	PLANK - Extra EU origin, T&G, (3 ± 0,5 mm Top layer).
M02	10/3	150/170	600/1900	PLANK - Extra EU origin, T&G, (3 ± 0,5 mm Top layer).
M04	14/3	180/190	600/1900	PLANK - Extra EU origin, T&G, (3 ± 0,5 mm Top layer).
M05	10/3	150/160	600/1200	PLANK - Extra EU origin, T&G, (3 ± 0,5 mm Top layer).
M06	14/3	190	600/1900	PLANK - Extra EU origin, T&G, (3 ± 0,5 mm Top layer).
M07	10/3	90	600	HERRINGBONE 90° - Extra EU origin, T&G, (3 ± 0,5 mm Top layer).
M08	10/3	90	510	CHEVRON 45° - Extra EU origin, T&G, (3 ± 0,5 mm Top layer).
M09	14/3	125	580	CHEVRON 45° - Extra EU origin, T&G, (3 ± 0,5 mm Top layer).
M10	15/4	220	600/2200	PLANK - Extra EU origin, T&G, (4 ± 0,5 mm Top layer).
VERSAILLES	15/4	1000	1000	DESIGN - Extra EU origin, G/G (4 ± 0,5 mm Top layer). All pieces bevel.
TRECCIA	15/4 15/4	90 190		GEOMETRIC - Extra EU origin, T&G, (4 ± 0,5 mm Top layer).
AGORÀ	15/4	190	950/1900	PLANK - Extra EU origin, T&G, (4 ± 0,5 mm Top layer).
POLIS	15/4	190	950/1900	PLANK - Extra EU origin, T&G, (4 ± 0,5 mm Top layer).

INSTALLATION: All Plank models (10 mm, 14 mm and 15 mm) can be laid glued down, or floating if they have a male of length equal to or greater than 5 mm.

STRUCTURE: It can be supplied in 2 or 3 layers depending on availability.

PRODUCT CODES

Model	Grade	Treatment	Code	Model	Grade	Treatment	Code	Model	Grade	Treatment	Code	Model	Grade	Treatment	Code	
M01	AB/1	Naturale	M0101	M04	AB	Naturale	M0425	M07	AB	Naturale	M0701	M09	AB	Naturale	M0917	
		T02	M0102			T02	M0426			T02	M0702			T02	M0918	
		T25	M0103			T25	M0427			T25	M0703			T25	M0919	
		T04	M0104			T04	M0428			T04	M0704			T04	M0920	
		T05	M0105			T05	M0429			T05	M0705			T05	M0921	
		T70	M0106			T70	M0430			T70	M0706			T70	M0922	
		T67	M0107			T67	M0431			T67	M0707			T67	M0923	
		T08	M0108			T08	M0432			T08	M0708			T08	M0924	
		T68	M0109			T68	M0433			T68	M0709			T68	M0925	
		T09	M0110			T09	M0434			T09	M0710			T09	M0926	
		T71	M0111			T71	M0435			T71	M0711			T71	M0927	
		T03	M0112			T03	M0436			T03	M0712			T03	M0928	
		T11	M0113			T11	M0437			T11	M0713			T11	M0929	
		T66	M0114			T66	M0438			T66	M0714			T66	M0930	
		T13	M0115			T13	M0439			T13	M0715			T13	M0931	
		T10	M0116			T10	M0440			T10	M0716			T10	M0932	
M02	CD	Naturale	M0201	M05	CD	Naturale	M0401	M08	AB	Naturale	M0801	M10	C	Naturale	M0933	
		T02	M0202			T02	M0402			T02	M0802			T02	M0934	
		T25	M0203			T25	M0403			T25	M0803			T25	M0935	
		T04	M0204			T04	M0404			T04	M0804			T04	M0936	
		T05	M0205			T05	M0405			T05	M0805			T05	M0937	
		T70	M0206			T70	M0406			T70	M0806			T70	M0938	
		T67	M0207			T67	M0407			T67	M0807			T67	M0939	
		T08	M0208			T08	M0408			T08	M0808			T08	M0940	
		T68	M0209			T68	M0409			T68	M0809			T68	M0941	
		T09	M0210			T09	M0410			T09	M0810			T09	M0942	
		T71	M0211			T71	M0411			T71	M0811			T71	M0943	
		T03	M0212			T03	M0412			T03	M0812			T03	M0944	
		T11	M0213			T11	M0413			T11	M0813			T11	M0945	
		T66	M0214			T66	M0414			T66	M0814			T66	M0946	
		T13	M0215			T13	M0415			T13	M0815			T13	M0947	
		T10	M0216			T10	M0416			T10	M0816			T10	M0948	
	M02	UNICA	Naturale	M0217	M06	AB	Naturale	M0501	M09	AB/1	Naturale	M0901	Agorà	D	T10	Desio
			T02	M0218			T02	M0502			T02	M0902			T39T04	Burago
			T25	M0219			T04	M0503			T25	M0903			T01	Evaporato medio
			T04	M0220			T05	M0504			T04	M0904			T19	Montepulciano
			T05	M0221			T09	M0505			T05	M0905			T20	Bianco Vissuto
			T70	M0222			T71	M0506			T70	M0906			T21	Giglio
			T67	M0223			T11	M0507			T67	M0907			Naturale	Clio
			T08	M0224			T66	M0508			T08	M0908			T02	M1202
			T68	M0225			Naturale	M0601			T68	M0909			T04	M1204
			T09	M0226			T02	M0602			T09	M0910			T09	M1209
M02	UNICA	T71	M0227	T04	M0603	T71	M0911	T10	M1210							
		T03	M0228	T05	M0604	T03	M0912	Naturale	Morfeo							
		T11	M0229	T09	M0605	T11	M0913	T02	M1302							
		T66	M0230	T71	M0606	T66	M0914	T04	M1304							
		T13	M0231	T11	M0607	T13	M0915	T09	M1309							
		T10	M0232	T66	M0608	T10	M0916	T10	M1310							

CONDITIONS OF SALES

1. PRICES

This catalogue cancels and supersedes the previous ones. Prices do not include VAT; we reserve the right to adapt prices to reflect any increase in our costs for any reason beyond our control, such as shortage of primary material or labor, transportation, duties and exchange rate. Prices are carriage paid to (CPT) and do not include transportation nor general costs for each shipment when providing service to remote and less-accessible locations (see point 3 "Transportation Charges").

2. ORDERS

Any agreement concerning the order should be included in a written contract accepted by both the seller and the buyer. When mediated by sales agents, the order is still subject to the final approval of the seller. Any agreement is considered binding as long as it is written (included those mediated by our sales agents). Order confirmation must be communicated via email or fax to our sales department or sales agents. Verbal agreements will not be taken into consideration.

Our sales department will send an order confirmation form containing all the details regarding product, payment method, transportation charges, delivery times etc.. The order confirmation form has to be filled by the buyer and must be returned signed for acceptance by email or fax. The signed confirmation order proves that the buyer acknowledges and accepts all details regarding items, quantity, type, prices, payment method, delivery times etc.. **The order is processed after receipt of the counter signed order confirmation.**

Our logistic department will process the order after receiving a signed confirmation copy. This contract cancels and supersedes any previous document sent by the client. Complaints related to delays or undelivered goods will be disregarded if the order has not been signed.

The seller reserves the right to suspend or cancel the sale without formal notice of default if the buyer's acceptance of the confirmation order is partial or if he adds unapproved notes. Contracts can also be cancelled if the seller has reasonable grounds to suspect that the buyer may not observe his obligations.

2.1 ORDERS

Amendments made after supply and smaller than 15 m², will be charged with a 50% increase on the price. Before proceeding with the order, carefully check the surfaces on the construction site.

3. TRANSPORTATION CHARGES

Ex works.

4. TERMS OF DELIVERY

The delivery times indicated in the following prospectus are to be considered entirely indicative and valid from the receipt by Giorio Srl of the order confirmation signed for acceptance. Within the order confirmation, there will be an indication of the delivery.

5. DELIVERIES

Delivery periods stated in the order confirmation are intended as an estimate only and are not binding. Once the order ships from our facility, it is handled by a carrier that may provide tracking information. The seller shall not be liable for any loss or damage howsoever arising out of delay in delivery. If delays in deliveries are caused by the buyer, he will be charged for storage expenses €/mq 0,05 per day (after 31 days of delay). When 50 days have passed, goods can be used to fulfill other orders if needed.

6. COMPLAINTS

The buyer needs to check the goods for conformity upon delivery. Complaints relating to apparent defects must be communicated to the seller through a recorded-delivery letter with advice of receipt within 5 days after delivery of the goods.

Complaints with regard to hidden defects must be communicated to the seller through a recorded-delivery letter with advice of receipt within 5 days after their discovery. If the buyer fails to respect this time period, the complaints will be disregarded. Complaints do not constitute a right for the Customer to suspend its payment, and balancing payments is expressly excluded. Once the buyer has employed the material, he recognizes the material is flawless, therefore notifications will not be accepted.

If a complaint is accepted, the seller's liability is limited to replacement of the goods that are acknowledged to be defective. No reimbursement nor discount will be applied. Consequential damage is never accepted. Goods can only be returned at the expense of the buyer and with the explicit consent of the seller. The seller reserves the right to suspend or cancel the sale by operation of law and without formal notice of default if the buyer does not observe his obligations.

7. DAMAGES

All risks relating to the goods are transferred to the buyer at the moment of delivery. The buyer is required to exercise due care in the storage of the goods, and to have them adequately insured against the risks as are customary. The seller is not responsible for damages due to inexpert and/or negligent use, insufficient and/or improper maintenance, and incorrect laying.

8. COLOUR FEATURES

Parquet floor parts are products of nature, thus, variation in colour and structure cannot be avoided. For that reason minor deviations in quality, colour, and finish, as considered acceptable in the industry shall be allowed.

9. PAYMENTS TERMS

Payment terms may vary according to the agreed upon method between seller and buyer. When the agreement is made with sales agents it needs seller's written confirmation of acceptance. New clients are asked to pay by wire transfer for the first supply. Our sales department will discuss with the client payment methods for further supplies. Whichever payment method proposed by the buyer is subject to the acceptance of the seller.

10. PAST DUE

If the buyer does not effect payment within the period of time as provided for, he will be subject to the acceleration clause. If the seller asserts this right he will be entitled to either demand an advance payment or collect the goods delivered. In addition, any freights due will be charged (transportation and/or goods reparation if needed). Bank transfer paid in advance or paid cash on delivery will only be accepted for the following orders, even if the previous debt has been discharged. Standard payment terms can be restored at the discretion of our administrative office.

11. INTEREST RATES AND LATE PAYMENTS

Late payments are subject to charging interest in default at the rate prescribed by Italian law, as well as compensation for recovery costs (bank charges). (Legislative Decree no. 231 of 9 Oct 2002, implementation of Directive 2000/35/EC regarding "combating late payment in commercial transactions"). Any delay in payment is to be communicated to the seller before the agreed deadline.

12. SAMPLES

Samples will be included in the invoice in accordance with the price list. Samples are to be requested via email or fax by both client or sales agent. Small samples will be charged with € 18,00 for each shipment. Samples are to be requested through a specific order form that has to be signed for confirmation.

13. DISPUTES

Any disputes will be settled exclusively by the competent court of Asti (AT) - Italy.

14. CONTACTS

- For orders, quotes, technical specifications, general information, etc.:
fabrizio.varvello@giorio.it - gabriele.gandolfo.@giorio.it - massimo.valsania@giorio.it - info@giorio.it
- For shipping information: **daniela.bertello@giorio.it**
- For information on accounting, invoices and payments etc.: **contabilita@giorio.it**
- For administrative information, outstanding payments, document requests, etc.:
antonella.plassa@giorio.it - contabilita@giorio.it
- For information on compositional solutions, showroom fittings and samples: **simone.rossi@giorio.it**
- For marketing material: **marketing@giorio.it**

The images included in this catalog are indicative only and do not fully represent the features of the materials they display.

MEDA PARQUET

i-WOOD
Wood Works

ΘΕΣΣΑΛΟΝΙΚΗ
Τηλ : 2310 41 22 44
showroom@iwood.gr

ΑΘΗΝΑ
Τηλ: 216 80 92 403
marousi@iwood.gr

iwood.gr